



Product Data Sheet

Product Model: ASP-LAM-37W

Nominal Power: $37 \pm 2W$

performance at STC: $1000W/m^2$, $25^\circ C$, AM1.5

Nominal Power (Pm)	37	W
Open Circuit Voltage (Voc)	59.1	V
Short Circuit Current (Isc)	0.92	A
Voltage at max. Power (Vm)	46.4	V
Current at max. Power (Im)	0.8	A
Power Output	25 years power output guarantee, for 90% of nominal output during first 10 years and 80% over 25 years.	
materials and workmanship	10 years	

System Properties (at STC)

Maximum System Voltage	V_{sys} (V)	1000 (600UL)
Maximum Series Fuse	I_{CF} (A)	1.5

Temperature Coefficients (at STC)

Temperature Coefficients of Isc	$\alpha = 0.060\%/^\circ C$
Temperature Coefficients of Voc	$\beta = -0.321\%/^\circ C$
Temperature Coefficients of Pm	$\gamma = -0.214\%/^\circ C$

Mechanical Specifications

Length	600 ($0 \sim +3$) mm
Width	600 ($0 \sim +3$) mm
Thickness	16.0 (± 1) mm
Area	0.36m ²
Weight	12.9kg

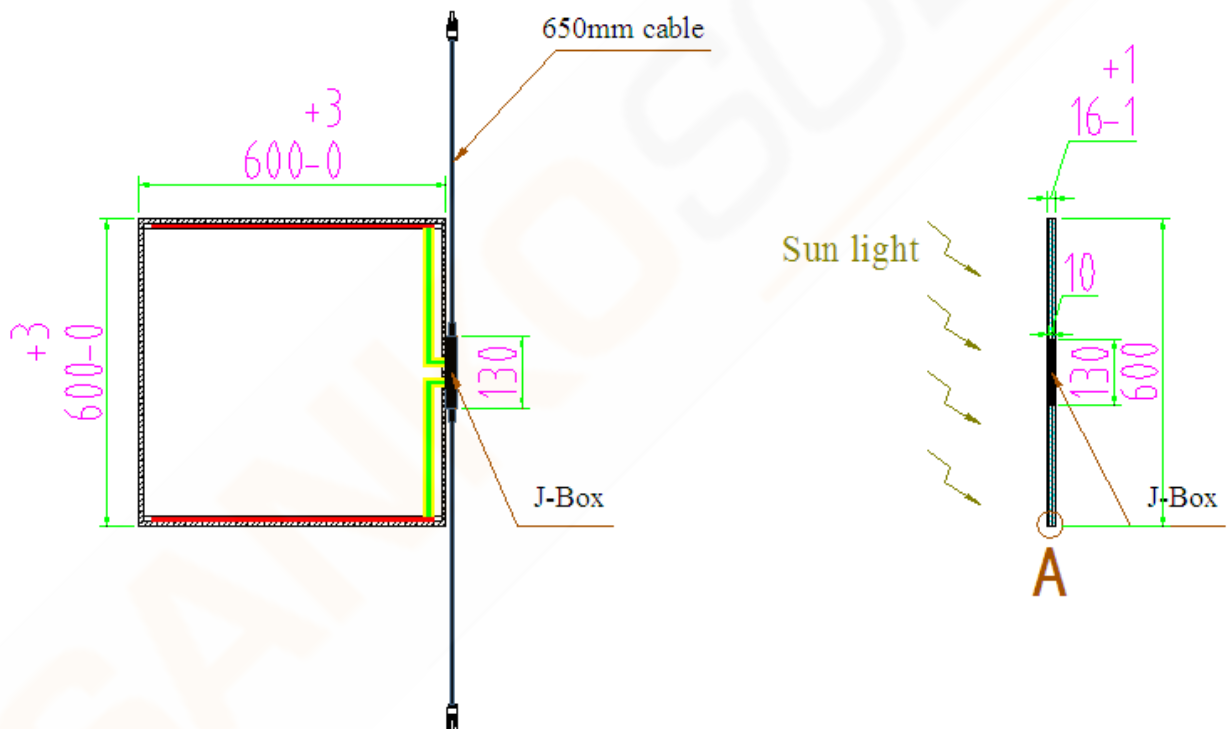


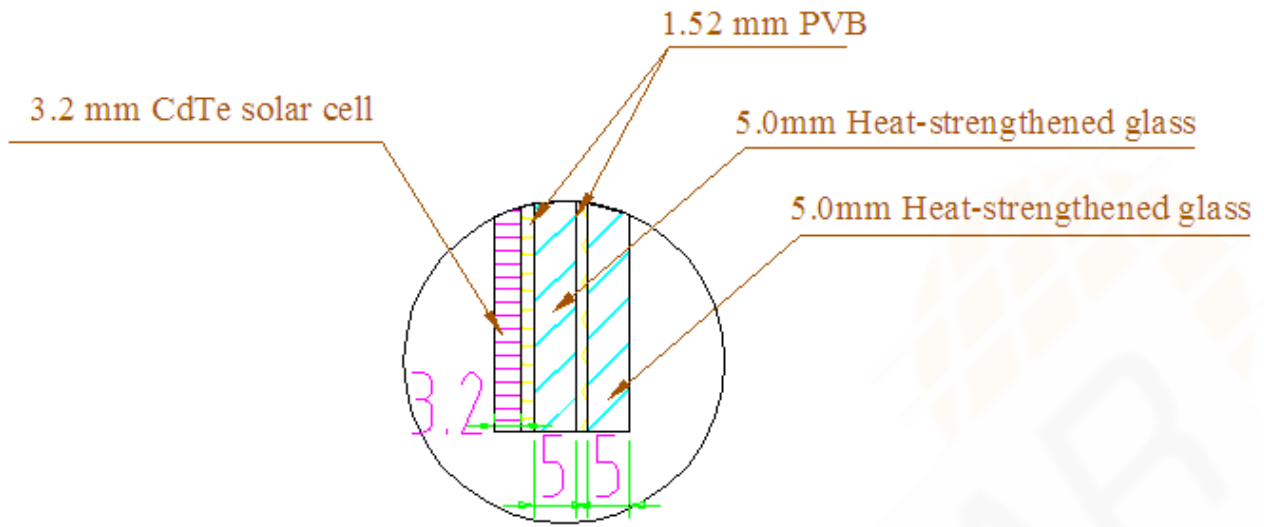
Frame	N/A
Junction Box※	600mm edge center, paralleled to transparent line
Lead Cable	2.5mm ² , 650mm
Connectors	MC4
Bypass Diode	6A
Cell Type	CdTe
Structure	3.2mm+5.0mm+5.0mm Cell/Heat-strengthened/Heat-strengthened
Encapsulation	PVB
Transparency※	10%

※The place of Junction box can be customized.

※Transparency can be customized.

Product schematic drawings:





A
1:10