



## Product Data Sheet

Product Model: ASP-LAM-126W

Nominal Power:  $126 \pm 6W$

### performance at STC: $1000W/m^2$ , $25^\circ C$ , AM1.5

|                             |   |   |
|-----------------------------|---|---|
| Nominal Power (Pm)          | 126   | W |
| Open Circuit Voltage (Voc)  | 59.1  | V |
| Short Circuit Current (Isc) | 3.1   | A |
| Voltage at max. Power (Vm)  | 46.4  | V |
| Current at max. Power (Im)  | 2.71  | A |
| Power Output                | 25 years power output guarantee, for 90% of nominal output during first 10 years and 80% over 25 years. |   |
| materials and workmanship   | 10 years  |   |

### System Properties (at STC)

|                        |               |              |
|------------------------|---------------|--------------|
| Maximum System Voltage | $V_{sys}$ (V) | 1000 (600UL) |
| Maximum Series Fuse    | $I_{CF}$ (A)  | 4.9          |

### Temperature Coefficients (at STC)

|                                 |                              |
|---------------------------------|------------------------------|
| Temperature Coefficients of Isc | $\alpha = 0.060\%/^\circ C$  |
| Temperature Coefficients of Voc | $\beta = -0.321\%/^\circ C$  |
| Temperature Coefficients of Pm  | $\gamma = -0.214\%/^\circ C$ |

### Mechanical Specifications

|           |                       |
|-----------|-----------------------|
| Length    | $2400 (0 \sim +3)$ mm |
| Width     | $600 (0 \sim +3)$ mm  |
| Thickness | $18.0 (\pm 1)$ mm     |
| Area      | $1.44m^2$             |
| Weight    | 57.5kg                |



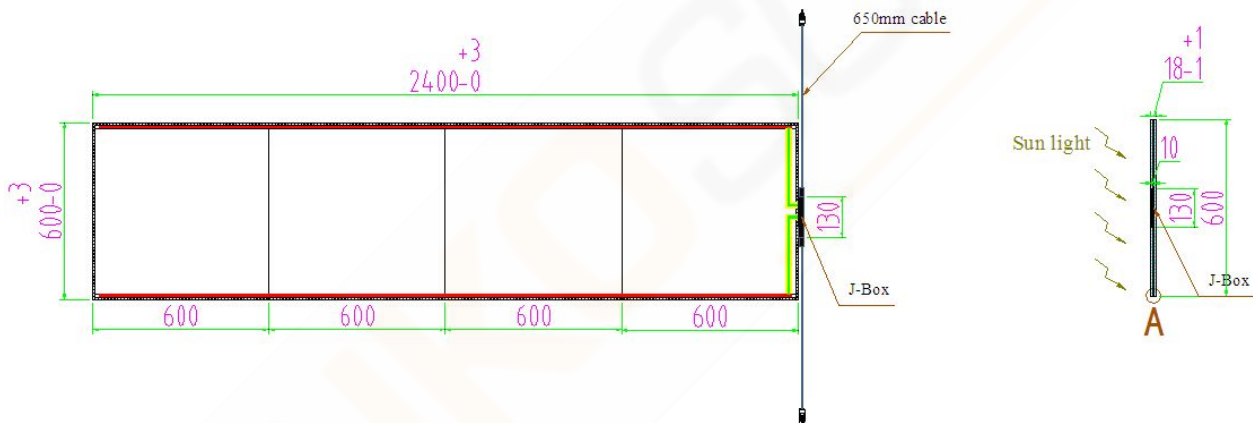
龙焱能源科技（杭州）有限公司  
ADVANCED SOLAR POWER (HANGZHOU) INC

|               |   |
|---------------|---|
| Frame         | N/A   |
| Junction Box※ | 600mm edge center                           |
| Lead Cable    | 2.5mm <sup>2</sup> , 650mm                  |
| Connectors    | MC4   |
| Bypass Diode  | 6A  |
| Cell Type     | CdTe  |
| Structure     | 6.0mm+3.2mm+6.0mm<br>Tempered/Cell/Tempered |
| Encapsulation | PVB   |
| Transparency※ | 20%   |

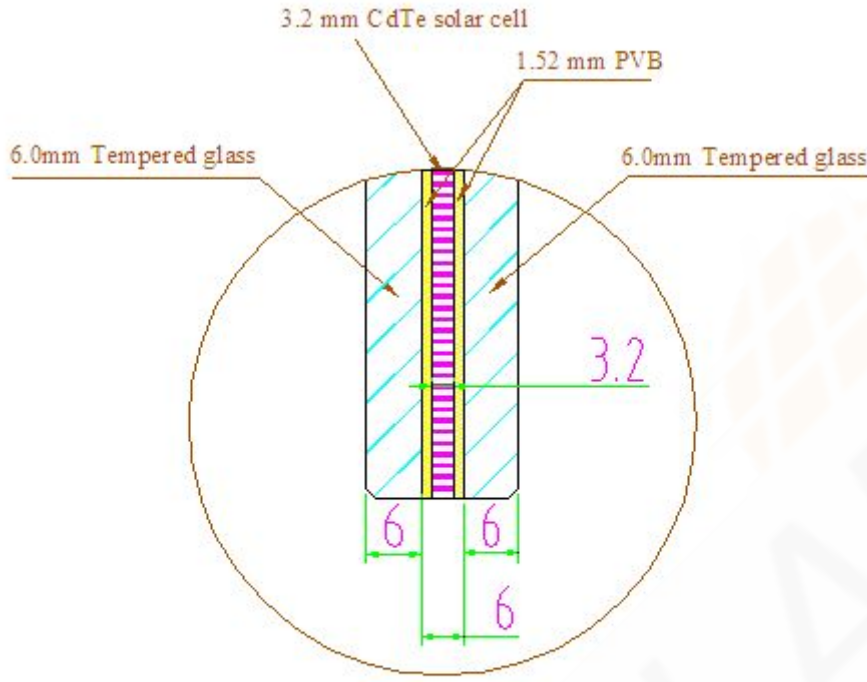
※The place of Junction box can be customized.

※Transparency can be customized.

Product schematic drawings:



浙江省杭州市下沙经济技术开发区凌云街 801 号  
#801 Lingyun Street, Hangzhou Economic & Technological Development Area,  
Hangzhou, Zhejiang Province, China  
Tel: +86-571-86875500 Fax: +86-571-86908092



A  
1:10