



## Product Data Sheet

Product Model: ASP-LAM-157W

Nominal Power:  $157 \pm 8W$

### performance at STC: $1000W/m^2$ , $25^\circ C$ , AM1.5

Nominal Power ( $P_m$ )	157	W
Open Circuit Voltage ( $V_{oc}$ )	59.1	V
Short Circuit Current ( $I_{sc}$ )	3.87	A
Voltage at max. Power ( $V_m$ )	46.4	V
Current at max. Power ( $I_m$ )	3.38	A
Power Output	25 years power output guarantee, for 90% of nominal output during first 10 years and 80% over 25 years.	
materials and workmanship	10 years	

### System Properties (at STC)

Maximum System Voltage	$V_{sys}$ (V)	1000 (600UL)
Maximum Series Fuse	$I_{CF}$ (A)	6.1

### Temperature Coefficients (at STC)

Temperature Coefficients of $I_{sc}$	$\alpha = 0.060\%/^\circ C$
Temperature Coefficients of $V_{oc}$	$\beta = -0.321\%/^\circ C$
Temperature Coefficients of $P_m$	$\gamma = -0.214\%/^\circ C$

### Mechanical Specifications

Length	3000 ( $0 \sim +3$ ) mm
Width	600 ( $0 \sim +3$ ) mm
Thickness	16.0 ( $\pm 1$ ) mm
Area	1.8m <sup>2</sup>
Weight	63.2kg



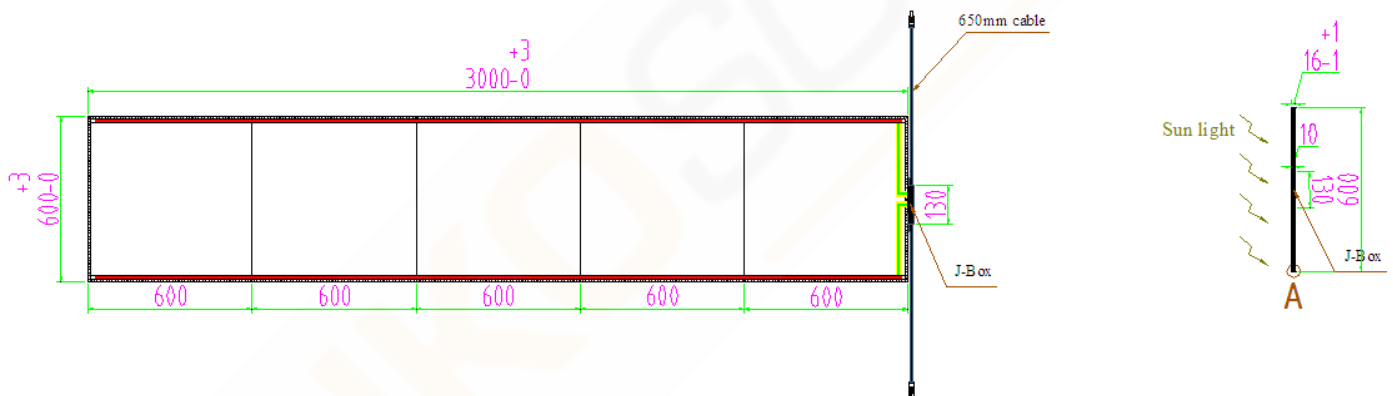
龙焱能源科技（杭州）有限公司  
ADVANCED SOLAR POWER (HANGZHOU) INC

Frame	N/A
Junction Box※	600mm edge center, paralleled to transparent line
Lead Cable	2.5mm <sup>2</sup> , 650mm
Connectors	MC4
Bypass Diode	6A
Cell Type	CdTe
Structure	5.0mm+3.2mm+5.0mm Heat-strengthened/Cell/Heat-strengthened
Encapsulation	PVB
Transparency※	20%

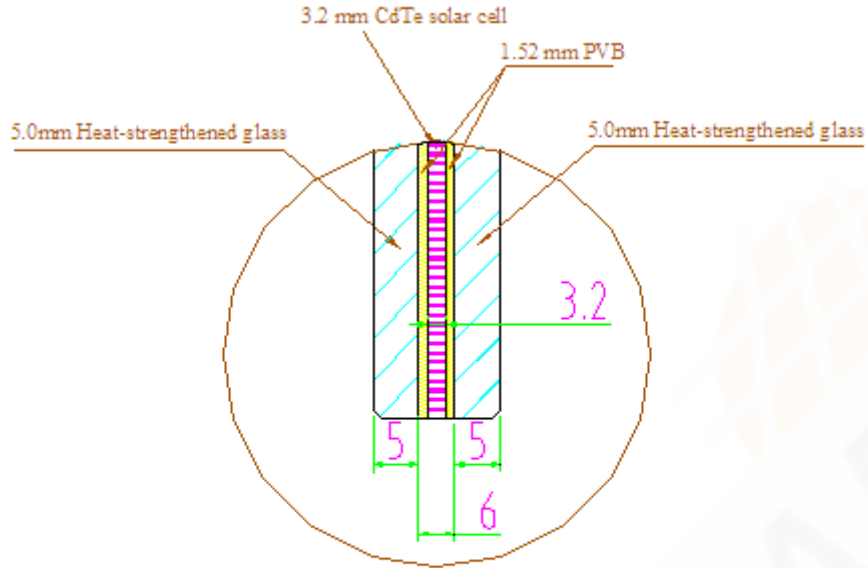
※The place of Junction box can be customized.

※Transparency can be customized.

Product schematic drawings:



浙江省杭州市下沙经济技术开发区凌云街 801 号  
#801 Lingyun Street, Hangzhou Economic & Technological Development Area,  
Hangzhou, Zhejiang Province, China  
Tel: +86-571-86875500 Fax: +86-571-86908092



A  
1:10