



## Product Data Sheet

Product Model: ASP-LAM-118W

Nominal Power:  $118 \pm 6$ W

### performance at STC: $1000\text{W}/\text{m}^2$ , $25^\circ\text{C}$ , AM1.5

Nominal Power ( $P_m$ )	118	W
Open Circuit Voltage ( $V_{oc}$ )	59.1	V
Short Circuit Current ( $I_{sc}$ )	2.91	A
Voltage at max. Power ( $V_m$ )	46.4	V
Current at max. Power ( $I_m$ )	2.54	A
Power Output	25 years power output guarantee, for 90% of nominal output during first 10 years and 80% over 25 years.	
materials and workmanship	10 years	

### System Properties (at STC)

Maximum System Voltage	$V_{sys}$ (V)	1000 (600UL)
Maximum Series Fuse	$I_{CF}$ (A)	4.6

### Temperature Coefficients (at STC)

Temperature Coefficients of $I_{sc}$	$\alpha = 0.060\%/^\circ\text{C}$
Temperature Coefficients of $V_{oc}$	$\beta = -0.321\%/^\circ\text{C}$
Temperature Coefficients of $P_m$	$\gamma = -0.214\%/^\circ\text{C}$

### Mechanical Specifications

Length	$3000 (0 \sim +3)$ mm
Width	$600 (0 \sim +3)$ mm
Thickness	$16.0 (\pm 1)$ mm
Area	$1.8\text{m}^2$
Weight	63.2kg



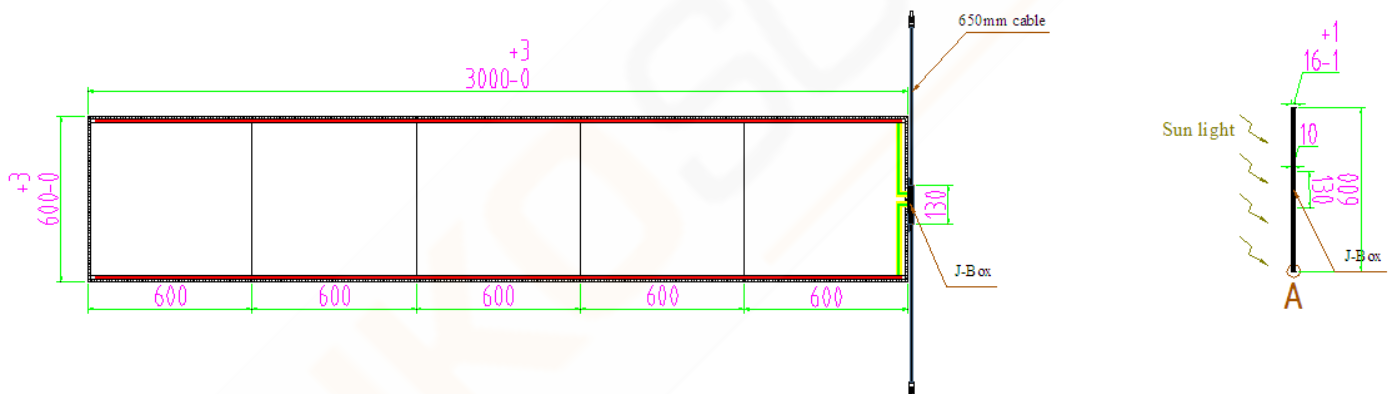
龙焱能源科技（杭州）有限公司  
ADVANCED SOLAR POWER (HANGZHOU) INC

Frame	N/A
Junction Box※	600mm edge center, paralleled to transparent line
Lead Cable	2.5mm <sup>2</sup> , 650mm
Connectors	MC4
Bypass Diode	6A
Cell Type	CdTe
Structure	5.0mm+3.2mm+5.0mm Heat-strengthened/Cell/Heat-strengthened
Encapsulation	PVB
Transparency※	40%

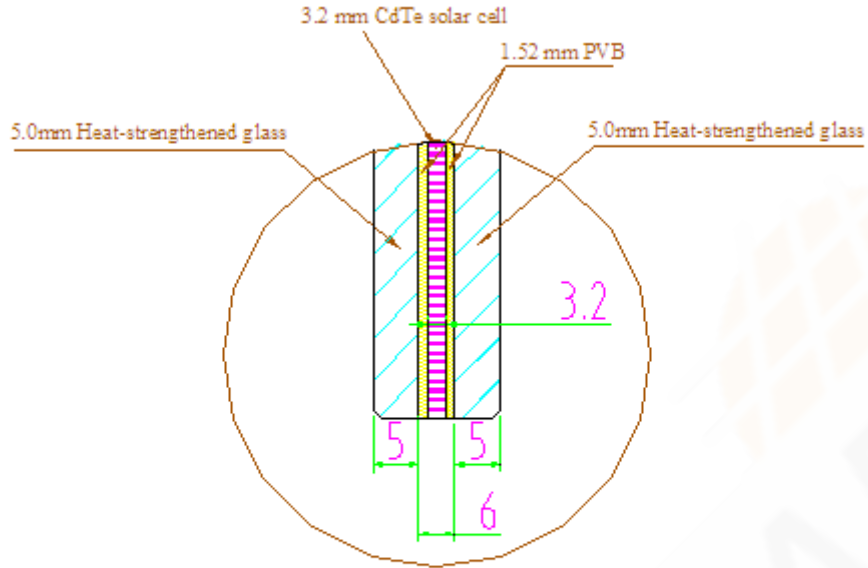
※The place of Junction box can be customized.

※Transparency can be customized.

Product schematic drawings:



浙江省杭州市下沙经济技术开发区凌云街 801 号  
#801 Lingyun Street, Hangzhou Economic & Technological Development Area,  
Hangzhou, Zhejiang Province, China  
Tel: +86-571-86875500 Fax: +86-571-86908092



A  
1:10