



## Product Data Sheet

Product Model: ASP-LAM-269W

Nominal Power:  $269 \pm 13$ W

### performance at STC: $1000\text{W}/\text{m}^2$ , $25^\circ\text{C}$ , AM1.5

|                                    |   |   |
|------------------------------------|---|---|
| Nominal Power ( $P_m$ )            | 269   | W |
| Open Circuit Voltage ( $V_{oc}$ )  | 89.9  | V |
| Short Circuit Current ( $I_{sc}$ ) | 4.36  | A |
| Voltage at max. Power ( $V_m$ )    | 70.6  | V |
| Current at max. Power ( $I_m$ )    | 3.8   | A |
| Power Output                       | 25 years power output guarantee, for 90% of nominal output during first 10 years and 80% over 25 years. |   |
| materials and workmanship          | 10 years  |   |

### System Properties (at STC)

|                        |               |              |
|------------------------|---------------|--------------|
| Maximum System Voltage | $V_{sys}$ (V) | 1000 (600UL) |
| Maximum Series Fuse    | $I_{CF}$ (A)  | 6.9          |

### Temperature Coefficients (at STC)

|                                      |                                    |
|--------------------------------------|------------------------------------|
| Temperature Coefficients of $I_{sc}$ | $\alpha = 0.060\%/^\circ\text{C}$  |
| Temperature Coefficients of $V_{oc}$ | $\beta = -0.321\%/^\circ\text{C}$  |
| Temperature Coefficients of $P_m$    | $\gamma = -0.214\%/^\circ\text{C}$ |

### Mechanical Specifications

|           |                         |
|-----------|-------------------------|
| Length    | 3000 ( $0 \sim +3$ ) mm |
| Width     | 900 ( $0 \sim +3$ ) mm  |
| Thickness | 18.0 ( $\pm 1$ ) mm     |
| Area      | 2.7m <sup>2</sup>       |
| Weight    | 107.6kg                 |



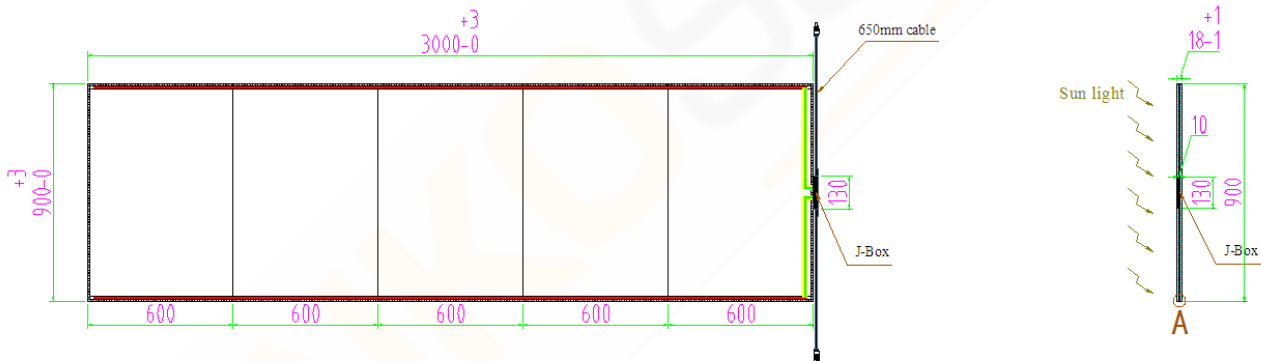
龙焱能源科技（杭州）有限公司  
ADVANCED SOLAR POWER (HANGZHOU) INC

|               |   |
|---------------|---|
| Frame         | N/A   |
| Junction Box※ | 900mm edge center, paralleled to transparent line             |
| Lead Cable    | 2.5mm <sup>2</sup> , 650mm                                    |
| Connectors    | MC4   |
| Bypass Diode  | 6A  |
| Cell Type     | CdTe  |
| Structure     | 6.0mm+3.2mm+6.0mm<br>Heat-strengthened/Cell/Heat-strengthened |
| Encapsulation | PVB   |
| Transparency※ | 10%   |

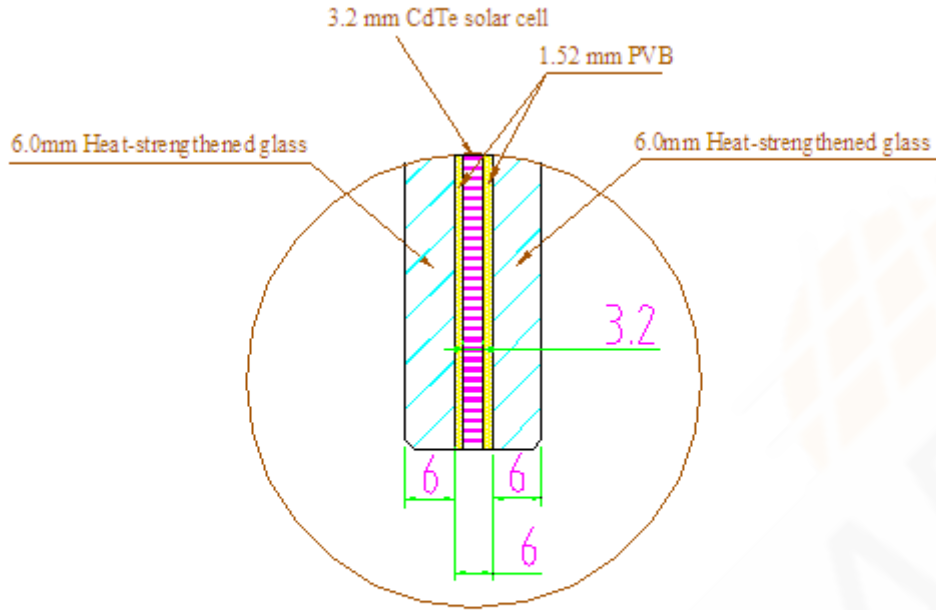
※The place of Junction box can be customized.

※Transparency can be customized.

Product schematic drawings:



浙江省杭州市下沙经济技术开发区凌云街 801 号  
#801 Lingyun Street, Hangzhou Economic & Technological Development Area,  
Hangzhou, Zhejiang Province, China  
Tel: +86-571-86875500 Fax: +86-571-86908092



A  
1:10