



Product Data Sheet

Product Model: ASP-LAM-215W

Nominal Power: 215 ± 11 W

performance at STC: $1000\text{W}/\text{m}^2$, 25°C , AM1.5

| | | |
|------------------------------------|---|---|
| Nominal Power (P_m) | 215 | W |
| Open Circuit Voltage (V_{oc}) | 89.9 | V |
| Short Circuit Current (I_{sc}) | 3.49 | A |
| Voltage at max. Power (V_m) | 70.6 | V |
| Current at max. Power (I_m) | 3.04 | A |
| Power Output | 25 years power output guarantee, for 90% of nominal output during first 10 years and 80% over 25 years. | |
| materials and workmanship | 10 years | |

System Properties (at STC)

| | | |
|------------------------|---------------|--------------|
| Maximum System Voltage | V_{sys} (V) | 1000 (600UL) |
| Maximum Series Fuse | I_{CF} (A) | 5.5 |

Temperature Coefficients (at STC)

| | |
|--------------------------------------|------------------------------------|
| Temperature Coefficients of I_{sc} | $\alpha = 0.060\%/^\circ\text{C}$ |
| Temperature Coefficients of V_{oc} | $\beta = -0.321\%/^\circ\text{C}$ |
| Temperature Coefficients of P_m | $\gamma = -0.214\%/^\circ\text{C}$ |

Mechanical Specifications

| | |
|-----------|-----------------------|
| Length | $3600 (0 \sim +3)$ mm |
| Width | $900 (0 \sim +3)$ mm |
| Thickness | $18.0 (\pm 1)$ mm |
| Area | 3.24m^2 |
| Weight | 129kg |



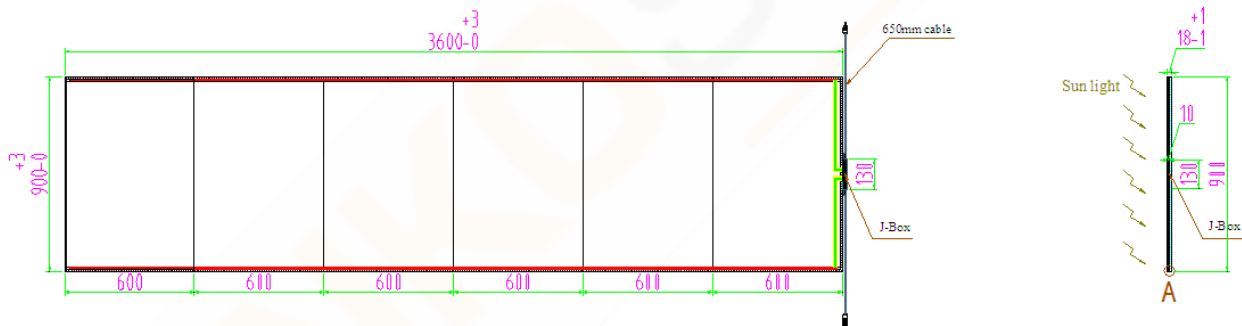
龙焱能源科技（杭州）有限公司
ADVANCED SOLAR POWER (HANGZHOU) INC

| | |
|---------------|---|
| Frame | N/A |
| Junction Box※ | 900mm edge center, paralleled to transparent line |
| Lead Cable | 2.5mm ² , 650mm |
| Connectors | MC4 |
| Bypass Diode | 6A |
| Cell Type | CdTe |
| Structure | 6.0mm+3.2mm+6.0mm Heat-strengthened/Cell/Heat-strengthened |
| Encapsulation | PVB |
| Transparency※ | 40% |

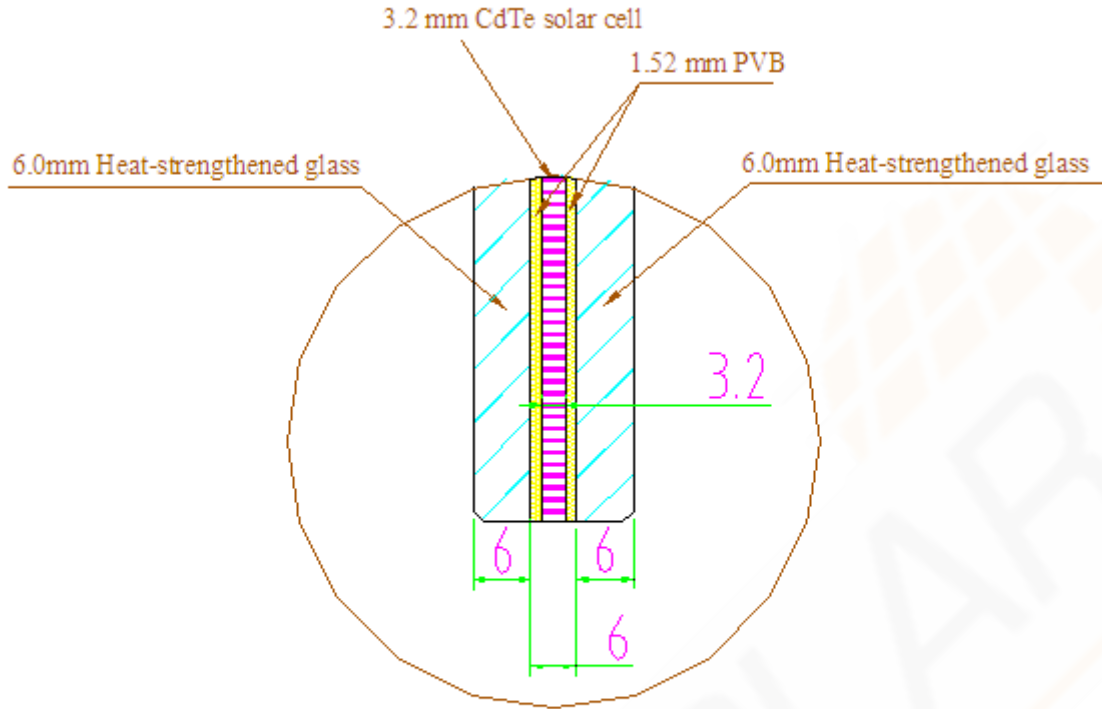
※The place of Junction box can be customized.

※Transparency can be customized.

Product schematic drawings:



浙江省杭州市下沙经济技术开发区凌云街 801 号
#801 Lingyun Street, Hangzhou Economic & Technological Development Area,
Hangzhou, Zhejiang Province, China
Tel: +86-571-86875500 Fax: +86-571-86908092



A
1:10